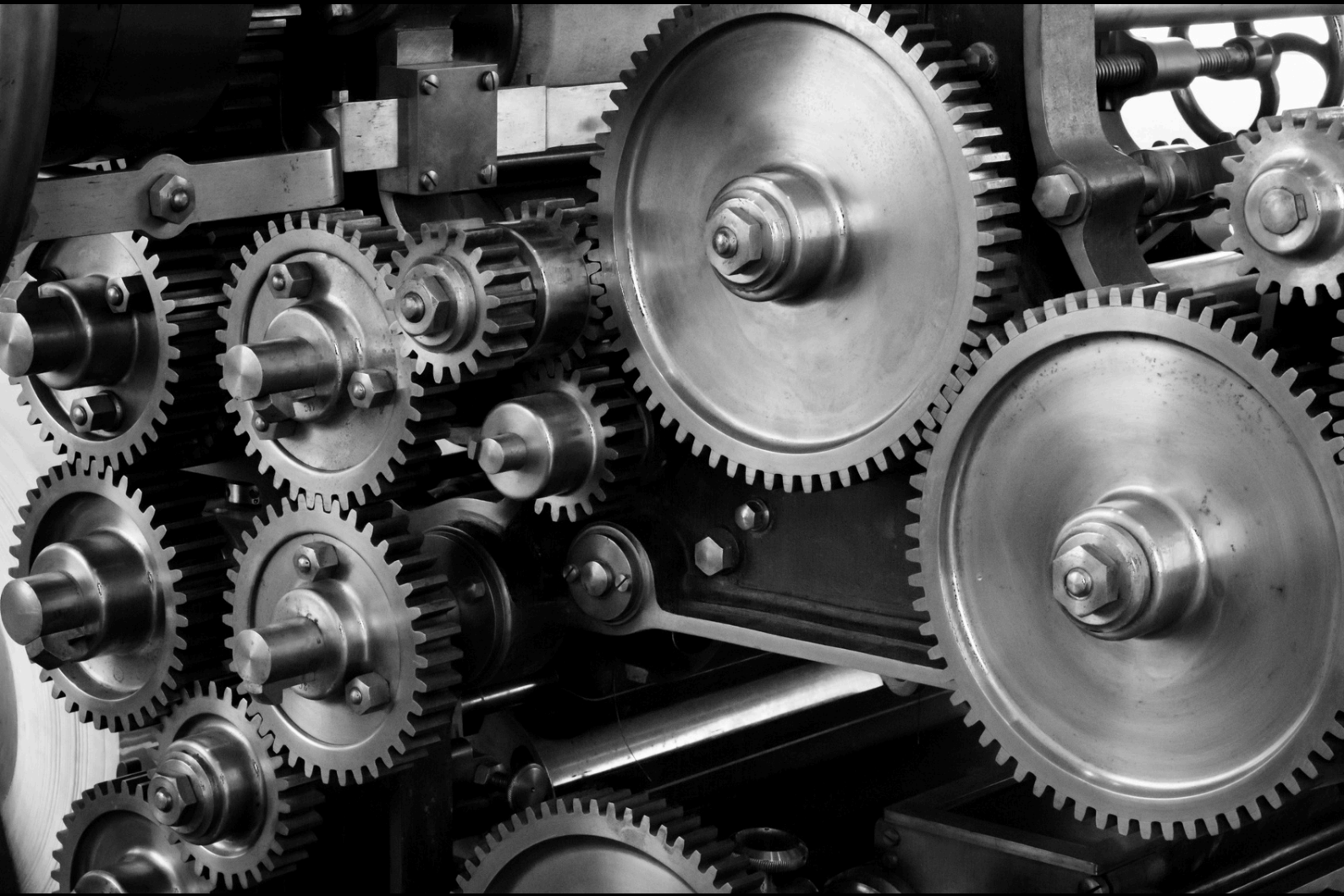




UNIQUE VISION

**UV KNOWLEDGE LINK PVT. LTD.**

**2024**



[uvknowledgelink@gmail.com](mailto:uvknowledgelink@gmail.com)

[www.uvktechnologies.com](http://www.uvktechnologies.com)

# INTRODUCTION



## UNIQUE VISION

**UV (Unique Vision) KNOWLEDGE LINK PVT. LTD**, a Start-up Company founded in year 2017. This venture begins with the Unique Vision to Innovate & Provide Trustworthy & Reliable Solutions to the Industries. Today we are situated in the heart of the Holy City Nashik at Adgaonkar Plaza, in Mahatma Nagar.

We are a team of passionate individuals with diverse and extensive industry experience and looking to innovate & provide trustworthy and reliable solutions to the industry.

With global consultants from Germany, Italy, Vietnam, China and India, we are a truly global organization with world class Engineering services ranging from CAD powered Product Design & Development, Tool Design & Development, Prototyping, Specialized Design Services & Product Virtual Verification (CAD CAM CAE), SPM & Manufacturing all kind of Tools.

# CEO & Founder - Yuvraj Vadaje



Yuvraj comes with a strong academic foundation in the field Mechanical Engineering & 23 years of rich industry experience in the field of design & development for (OEM). His journey has seen him work with major brands like BDNT (BYD Daimler New technology, China), Mercedes Benz Research & Development, Germany and India, Mahindra and Mahindra Ltd. & Tata Technologies Ltd. (Tata Motors). He has successfully filed several patents in India as well as in Europe.

His professional expertise and experience has been enriched while working in China, Germany, Korea & India. His national and International experience in the industry has made him well versed with the National & International working practices. Apart from his basic expertise in mechanical engineering, he specializes in Project management, EV (Electric Vehicle) development and all design and development activities for Automotive, Aviation and Defence Industries. Also well known with latest industrial trends like IIOT, Industry 4.0, ML and AI.

# Our Team



# Our Team

We have a team of passionate individuals with core knowledge in their particular domain fields. Every employee has diverse & extensive industry experience.



## Vision:

To become the leading global innovator in engineering solutions by leveraging our diverse team of passionate experts and world-class technology. We strive to build lasting partnerships with clients by delivering reliable and trusted solutions across the entire product development lifecycle, from concept to manufacturing.

## Mission:

We are a global engineering solutions provider, driven by a team of passionate individuals with diverse industry experience. We leverage our expertise to deliver trustworthy and reliable services, from product design and development to specialized manufacturing solutions.

Our commitment is to continuously innovate and provide our clients with the highest quality engineering services, empowering them to achieve their goals.

## Our Values:

Quality

Integrity

Team Work

Accountability

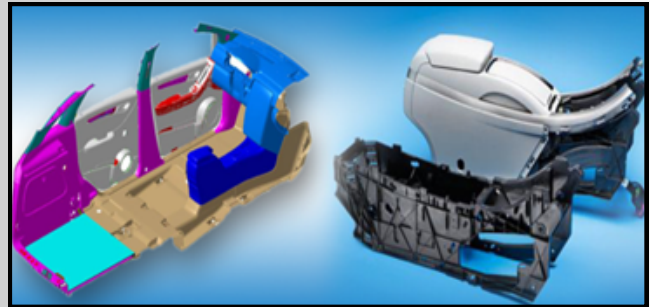
# Our Services:



## Design Services: Product Design and Development

UVK Link offers a complete value chain in the Automotive design domain in the areas like BIW (Body In White), Chassis, Seat Frame, Interior / Exteriors and GD & T.

- Parametric Part Modeling(CATIA )
- Detail Design 3D solid and Surface modeling
- Design of Interior / Exterior parts



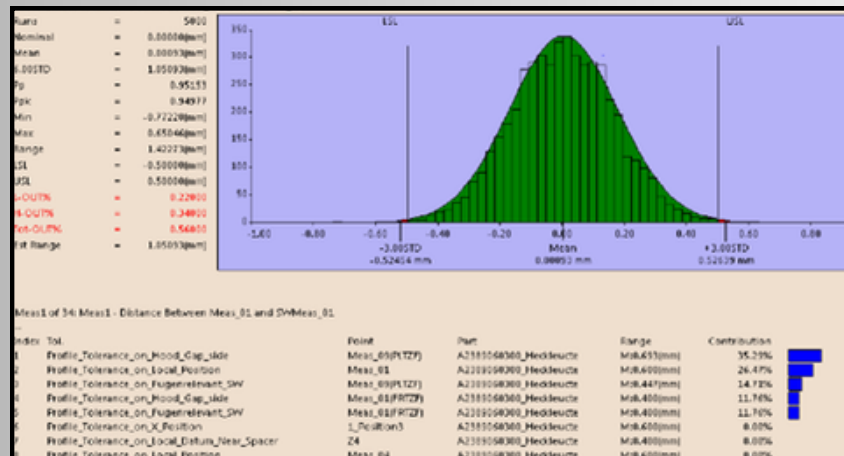
- Complete BIW (Floor panel , Under body ,Side Wall, Roof , Engine Room & Closures)
- Conceptual component Design considering all design aspects like manufacturing , assembly, Crash , NVH & Durability
- Initial sketches to final design.



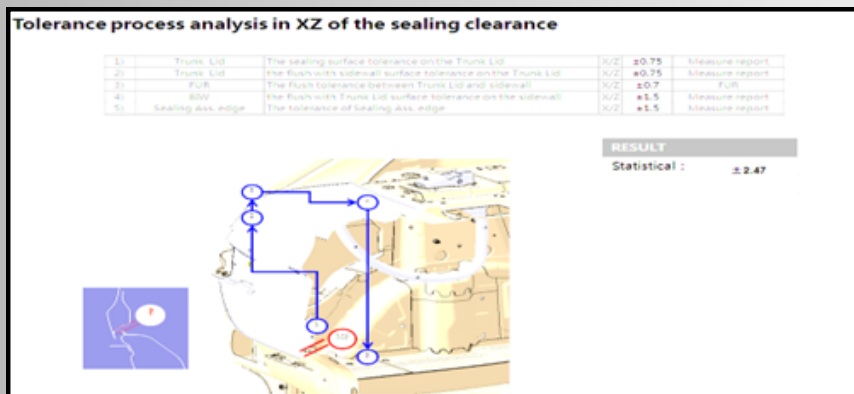
- Design & Development of Seat Frames Data conversion (2D to 3D)
- Reverse Engineering (Surfacing)
- On-site manpower Deployment (CAD Engineers)



## Design Services: GD&T (Geometrical Dimensioning & Tolerance)



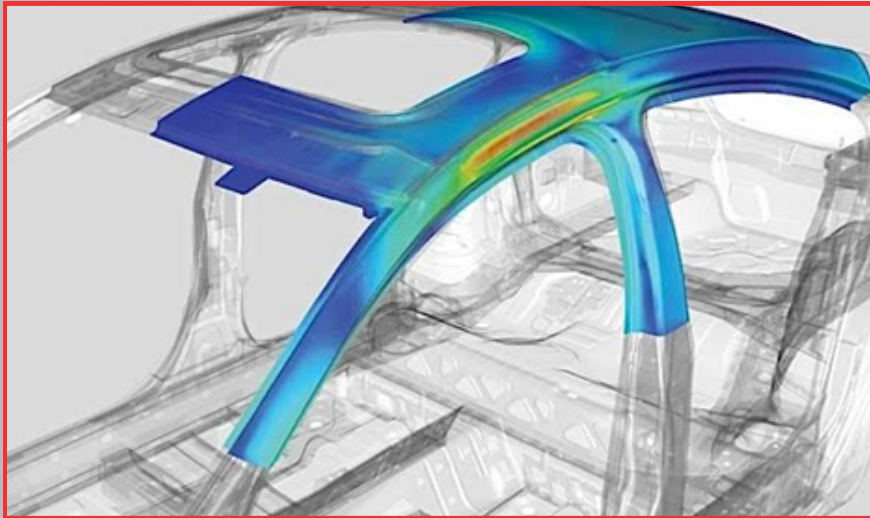
- **Dimensional Variation analysis (DVA)** – Simulation with software like 3DCS and VSA
- **Complete end to end solution for Tolerance management, BIW development, GAP & Flush Trunk Lid ,Engine Hood and Doors alignment**



- **Tolerance Planning** –  
Assembly sequence (Welding sequence – weld plan)
- **Tolerance Management** -  
Assign Tolerance to Individual Components  
Assign Tolerance to Assembly
- **Tolerance stack up analysis** –  
Stack up for assembly and fitments  
Align all tolerances to meet GAP & Flush requirements  
(Top down approach & Bottom up approach)



# Product Virtual Verification using CAE Tools



## Structural Analysis

- Structural Durability/Fatigue
- Bolted/Welded/Adhesive Joints
- Material/Geometric/Contact Nonlinearity
- Structural Optimization
- Field data analysis and load/goal derivation

## Heat Transfer Fluid Dynamics

- Under hood Thermal
- Cooling system
- Aerodynamics
- Heat rejection

## System Dynamics

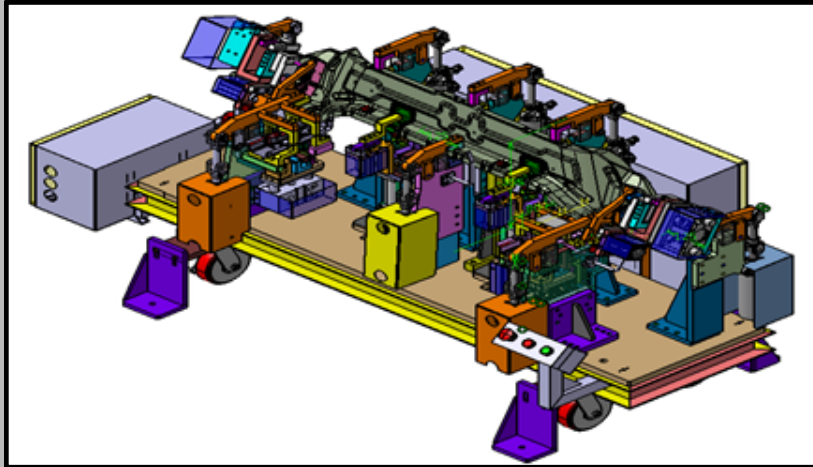
- Vehicle Modeling and Process Automation
- Ride and Comfort
- Mechanism Design Optimization
- Coupled simulation
- Harmonic/Modal analysis
- Vibration Fatigue

## Highlights

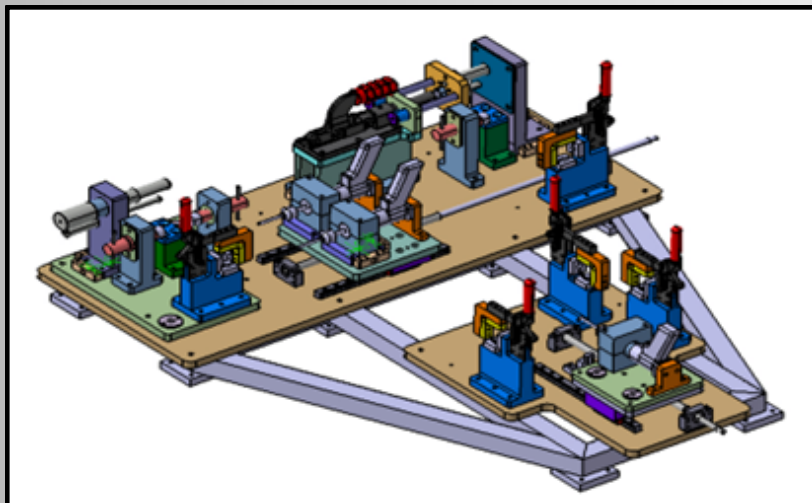
- Flexible and quick design changes
- Explore Modularity / existing design adoption
- Speed to market by reducing physical test and prototype requirement
- Lower development cost by reducing prototype cost, low design rework

## Jigs & Fixture, Design & Manufacturing:

Spot /Co2 welding Fixtures (Manual/Robotic/Electropneumatic) and Checking Fixtures,

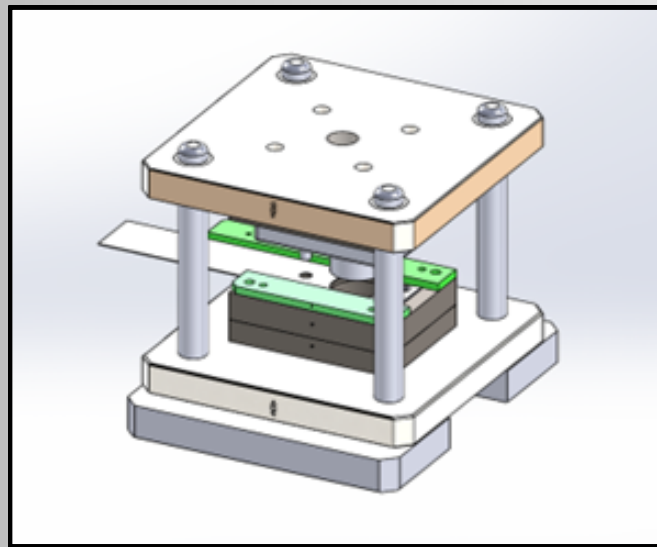


- Jigs design for all assembly of closures like doors, fender, Trunk Lid , Engine Hood and other fitment like front bumper, rear bumper, rear spoiler.
- GAP & Flush analysis Automation
- Parametric Part Modeling (CATIA / UG NX)
- On-site manpower Deployment

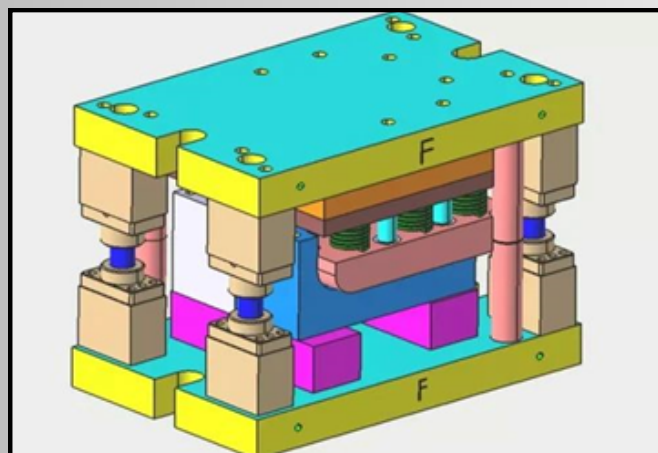


- Finalizing assembly sequence (Welding sequence- weld plan) With respect to GD & T and BIW build strategy.
- Design of all Welding Fixtures for BIW aggregates like (Floor panel , Under body ,Side wall , Roof , Engine Room & Closures ).
- Detailed Design.
- Design of Checking fixtures.
- Locating & clamping plan.
- Individual part manufacturing drawing
- Weld Gun study (analysis).
- Automation.

## Tool & Die Design, Panel Checker Design and Manufacturing

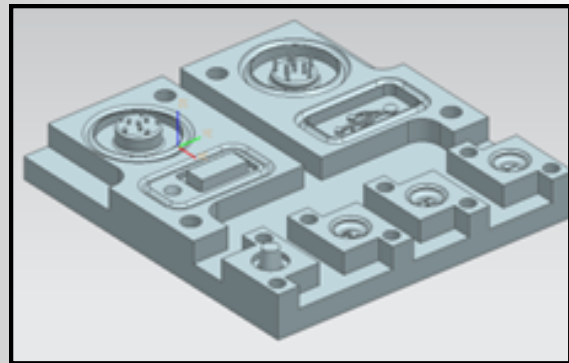
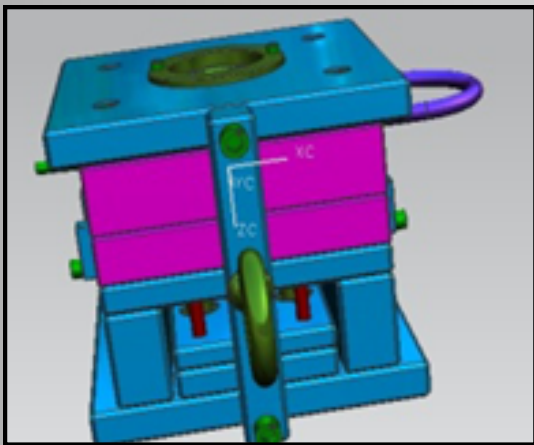
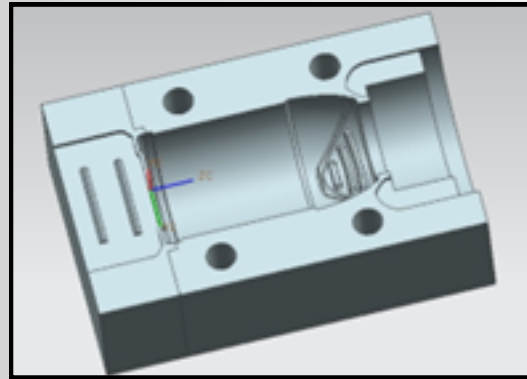
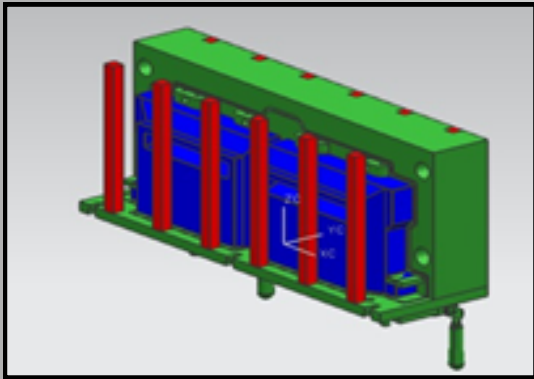


- Our team of experts with decades of experience in Tool & Die Design, Process & CAE Simulation, Materials & Metallurgy.
- **DIE DESIGN AND OPTIMISATION**
  - Die Life Improvement
  - Component Specific, Special Purpose Dies
  - Die Design Optimization
  - Die Maintenance



- **TOOL & DIE MANUFACTURING**
  - Die Design and Process Design
  - Die Manufacturing As per customer requirement
  - Virtual Die Tryouts
- Panel Checker Design and Mfg.
- Support for Tool & Die Maintenance
- Support for Die Life Improvement

## Mould Design and Manufacturing

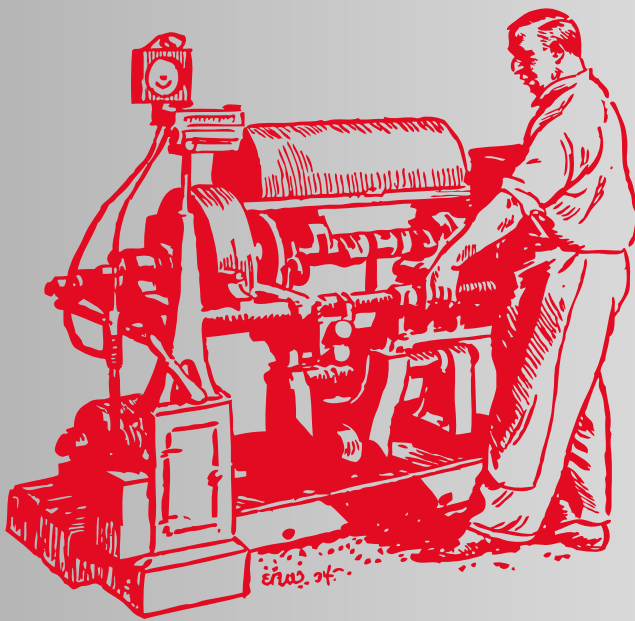


- Our team of experts with vast experience in Mould Design and Development.
- Manufacturing, Maintenance, Designing of All Types of Rubber Mould, Plastic Injection Mould, Press Tools, Plastic Blow Mould, Forging Dies, Casting Dies.
- Compacted, systematic, cost effective mould design and development. maintenance of old moulds.
- Our company assesses your drawings and provides engineering guidance to help you design mould-able parts that are optimized for manufacture. From tool design concepts to process development and validation, we ensure that all aspects of production meet the ultimate goal of producing high-quality moulded parts

## Prototype Development



- Proto tool design and Manufacturing (Soft tool (Dies),and Fixtures)
- Try out at our end
- Design solutions and suggestions
- Manufacturing of Proto parts and assemblies as per customer requirements.



# MACHINING CAPABILITIES

UV (Unique Vision) KNOWLEDGE LINK PVT. LTD.

## PRESS MACHINE



- MODEL- 150 TONNAGE PRESS (MECHANICAL)
- MAKE: MANKOO

---

## VERTICAL MACHINING CENTER

- MODEL- VMC 1050 WITH 20 ATC
- MAKE- JYOTI, INDIA
- CONTROLLER-SIEMENS 810D
- TABLE SIZE-
- 1050X500X400



## CONVENTIONAL MACHINES



**DRO MACHINE**



**DRILLING MACHINE**



**SURFACE GRINDING MACHINE**



**LATHE MACHINE**



## CONVENTIONAL MACHINES



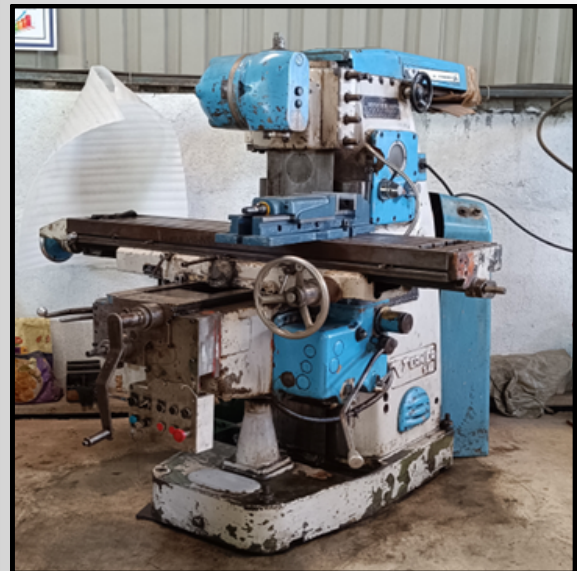
**CO2 WELDING MACHINE**



**SPOT WELDING MACHINE**



**CUTTING MACHINE**



**MILLING MACHINE**

# INSPECTION FACILITY



Sr. No.	Measuring Instruments & Gauges	Make	LEAST COUNT	Size/Range	Qty
1	Digital Height Gauge	INSIZE	0.01mm	0-600 mm	1
2	Vernier Caliper	INSIZE	0.02mm	0-300 mm	1
3	Digital Vernier Caliper	INSIZE	0.01mm	0-200 mm	1
4	Digital Vernier Caliper	INSIZE	0.01mm	0-300 mm	1
4	Micrometer	Mitutoyo	0.01mm	0-25 mm	1
7	Bevel Protractor	INSIZE	5'	0-360°	1
8	Dial Test Indicator Gauge	INSIZE	0.001mm	0-0.8 mm	1
9	Granite Surface Plate	Luthra Precision	-	1000X1000 mm	1
10	Radius Gauge	INSIZE	-	R 1-7 mm	1
11	Magnetic 'V' Block	Armotech	-	150X100X75 mm.	1
12	Magnetic 'V' Block	Armotech	-	150X100X75 mm.	1



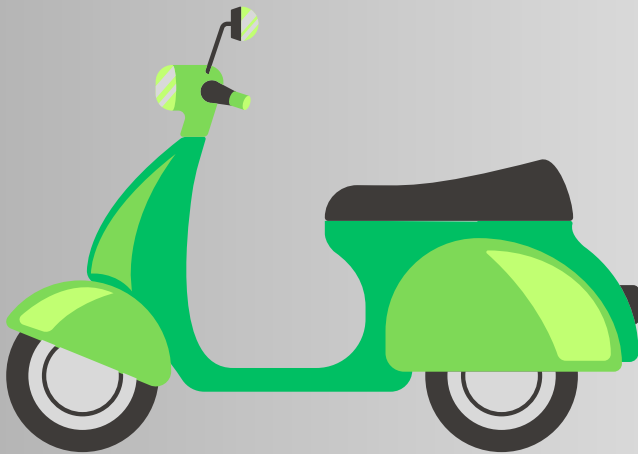
**FARO PORTABLE CMM ARM, FARO QUANTUM**



**ZEISS CONTURA FIX BED CMM MACHINE**



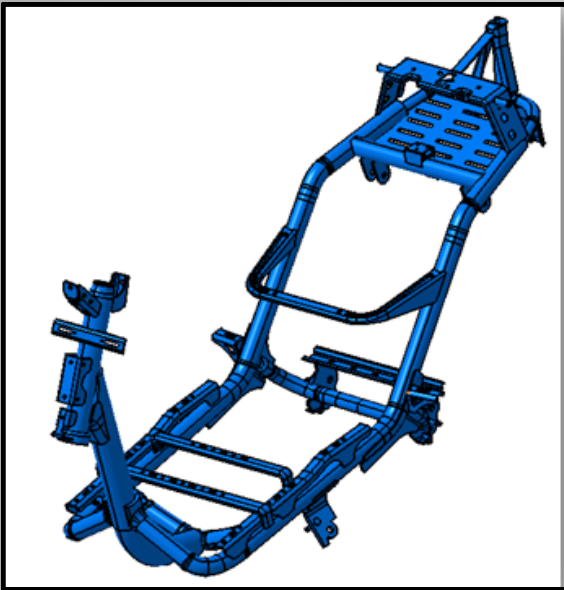
**LASER TRACKER MACHINE VANTAGE E**



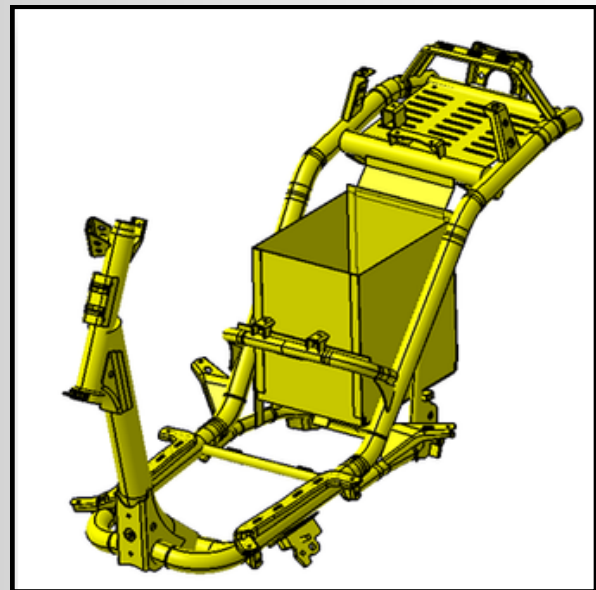
# DELIVERED SERVICES IN ELECTRICAL VEHICLE

UV (Unique Vision) KNOWLEDGE LINK PVT. LTD.

## Successfully Delivered Projects



**M7 CHASSIS**



**J8 CHASSIS**

**Design & Development of Electric scooter CHASSIS  
(For One of the EV Tech company)**

## Successfully Delivered Projects

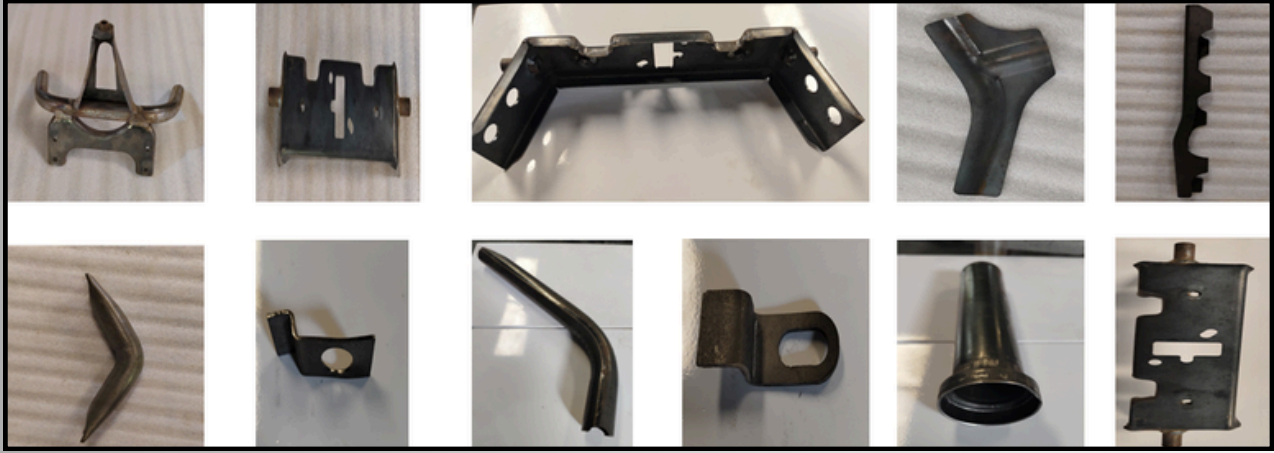


### M7 CHASSIS



**Design and Manufacturing of Electric scooter CHASSIS  
(For One of the EV Tech company)**

## Successfully Delivered Projects



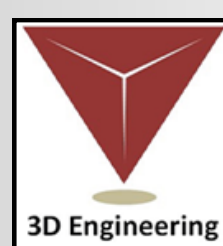
**MANUFACTURING OF PRESS PARTS  
FOR ELECTRIC VEHICLE**

## Successfully Delivered Projects



**Design & Development of Electric scooter  
(For Urja Global Limited, Delhi)**

## OUR PRIVILEGED CLIENTS







# CONTACT US



## UV KNOWLEDGE LINK PVT. LTD.

**OFFICE:** Flat No.5, 2nd Floor, Adgavkar Plaza, Near ABB Circle, Trimbak Road, Mahatma Nagar, Nashik 422005

**FACTORY:** Plot no. M 47, MIDC Ambad, Nashik, Maharashtra 422010

[info@uvklink.com](mailto:info@uvklink.com)



[uvknowledgelink@gmail.com](mailto:uvknowledgelink@gmail.com)

[purchase.uvk@gmail.com](mailto:purchase.uvk@gmail.com)



**9881147497**



[www.uvktechnologies.com](http://www.uvktechnologies.com)